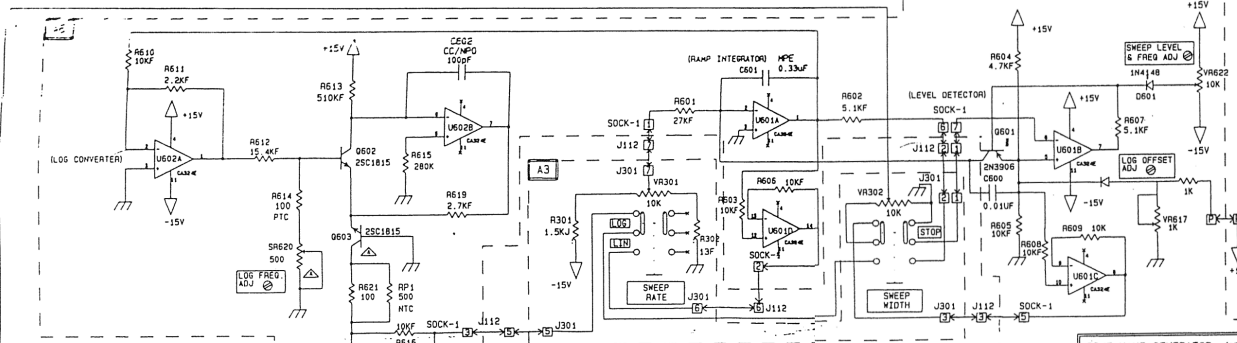


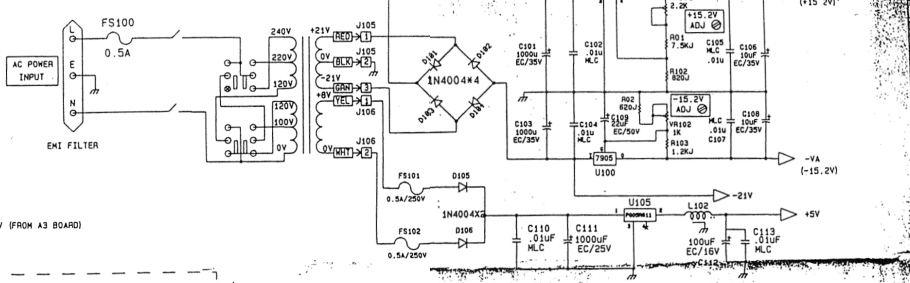
文件管制中心

T11*	DIGIT COUNTER	REV
Size Document Number	A2	A
Rev:	July 1, 1988 Sheet	of

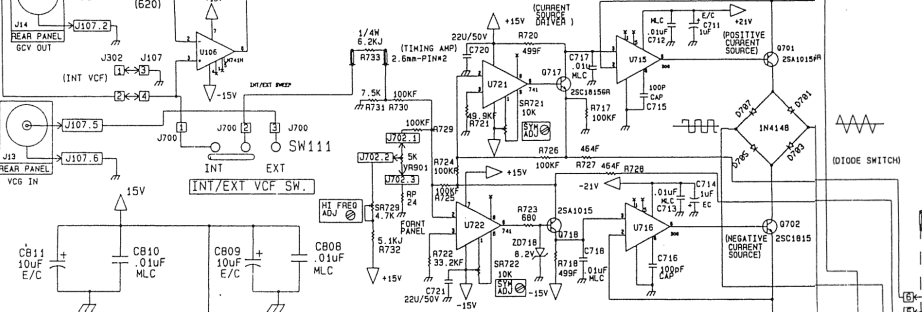
SHEEP CIRCUIT (A6)



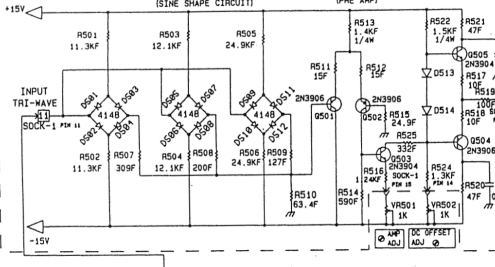
POWER SUPPLY (A1)



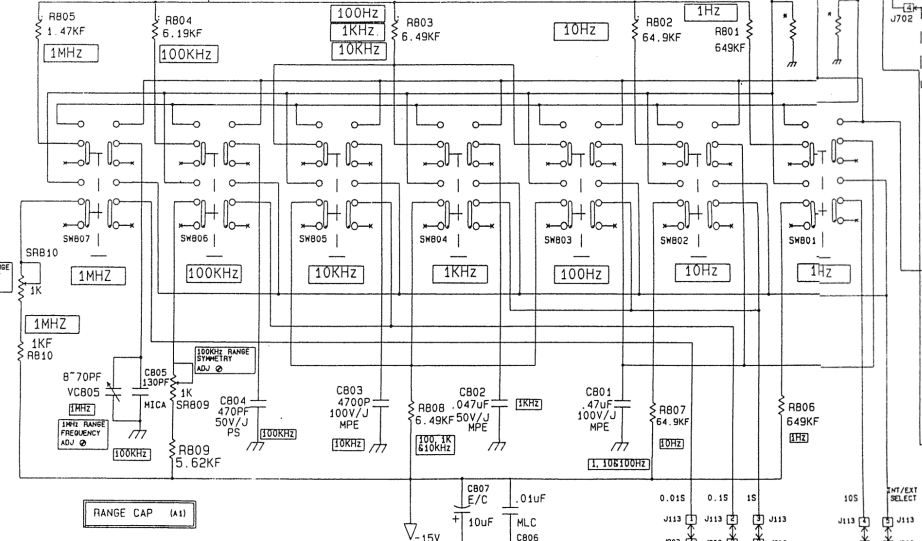
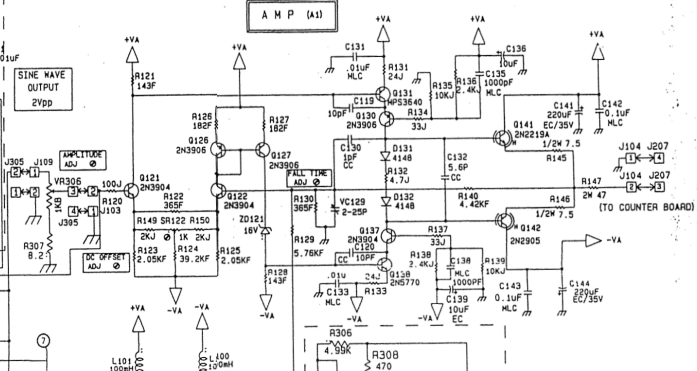
V. C. F. CIRCUIT (A1)



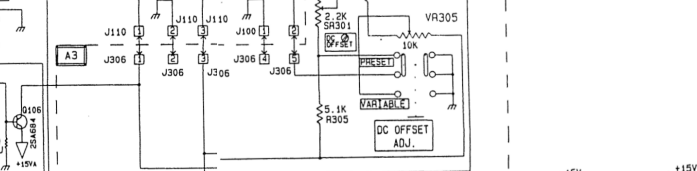
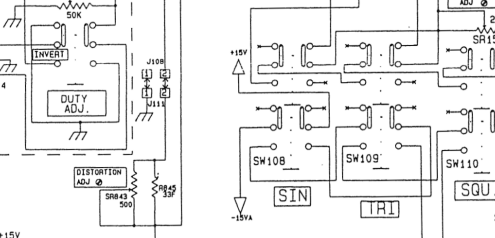
SINE WAVE GENERATOR (A6)



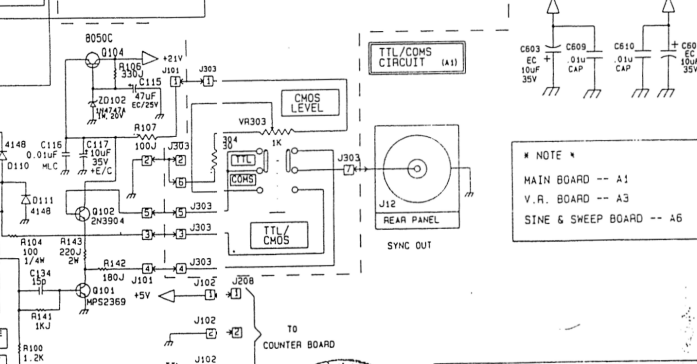
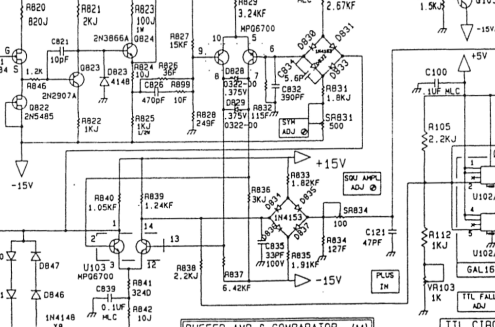
AMP (A1)



FUNC SWITCH (A1)



BUFER AMP & COMPARATOR (A1)



ESCORT INSTRUMENTS CORPORATION			
TITLE	EGC-3233-SH2Z	DESIGN	PETER LIN
FILENAME	CIRCUIT 1	DRAWING	STANLEY
DATE	07/01/96	CHECK	STANLEY
REV	8	APPL	
		SHEET	1 OF 2

文件控制中心
H. C. G.
SHEET 1 OF 2